
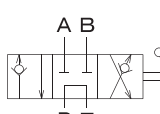
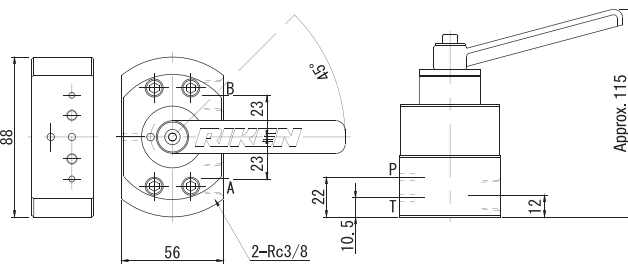

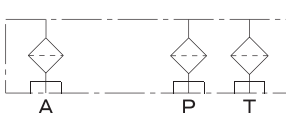
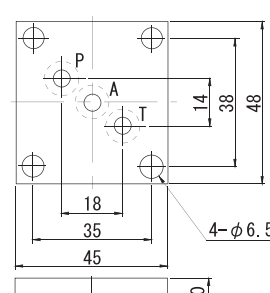


# Esperblock (modular valve)


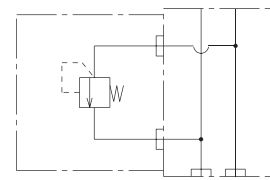
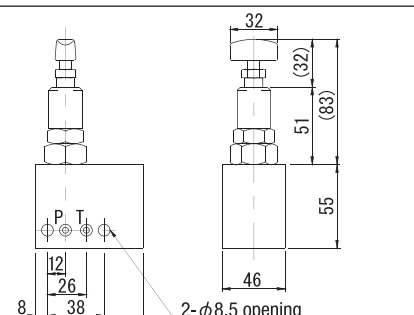
## Manual 4-Way Three Position Valve

<p>SMVH-43 <span style="color: red; border: 1px solid red; border-radius: 50%; padding: 2px;">New Product</span></p> 	<p>Circuit designation</p> 	 <p>※This valve is used after mounted to KBSP-34.</p>
--	--	---


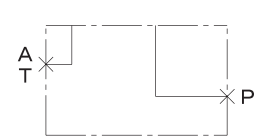
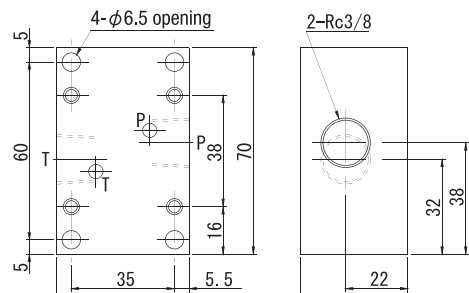
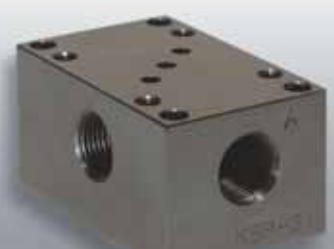
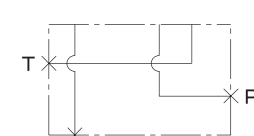
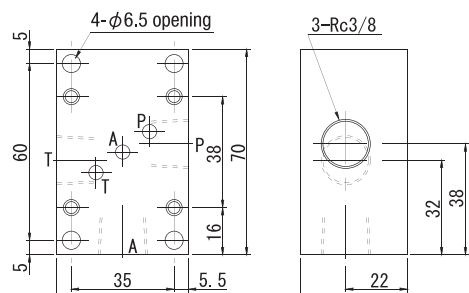
## KD Series Inline Filter

<p>KIF-3</p> 	<p>Circuit designation</p> 	
--	--	---

## KD Series Relief Valve

<p>KRV-1</p> 	<p>Circuit designation</p> 	 <p>Pressure control range 10 - 70 MPa</p>
--	--	---

## KD Series Plate for single use (not for stacking)

<p>KBP-21</p> 	<p>Circuit designation</p> 	
<p>KBP-31</p> 	<p>Circuit designation</p> 	

Hydraulic Valves