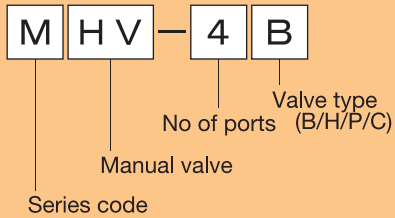


M Series Direction-Control Valve (manual/solenoid operations)

Maximum operating pressure	Maximum flow
70MPa	0~ 8MPa : 15L/min
	8~70MPa : 3L/min

4-Way Manual Direction-Control Valve

Description of the type



Specification

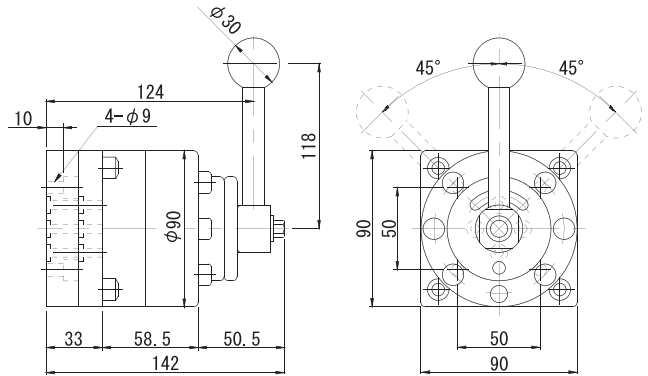
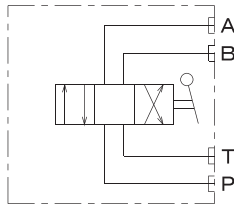
Bolt insert length: 10 mm
Weight: 5.3 kg

Type	Type at neutral	Hydraulic designation	Grip color
MHV-4B	Center bypass		Black
MHV-4H	All ports open		Blue
MHV-4P	P port blocked		Red
MHV-4C	All ports blocked		Yellow

MHV-4B

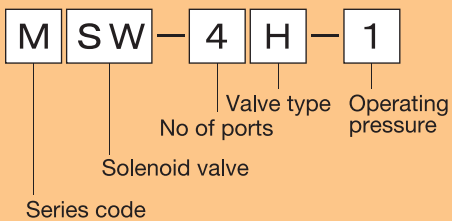


Circuit designation



4-Way Solenoid Operated Directional Valves

Description of the type



Specification

Type	Type at neutral	Approximate weight (kg)
MSL-4S	Normal straight	5.0
MSL-4H	Normally open	
MSL-4P	P port blocked	
MSW-4B	Center bypass	7.0
MSW-4H	All ports open	
MSW-4P	P port blocked	
MSW-4C	All ports blocked	

※See P. 106 for the details of this product.

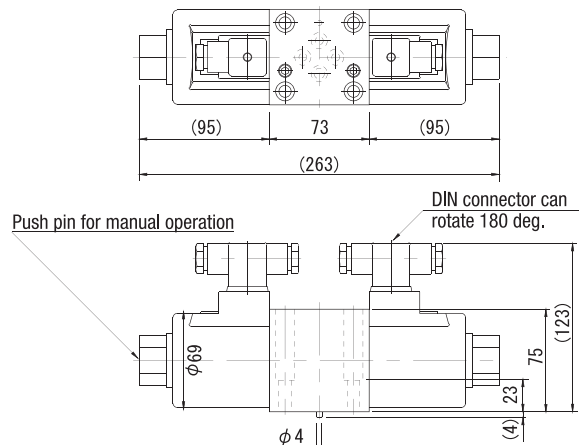
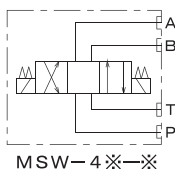
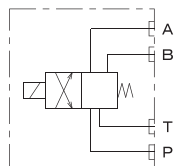
MSL-4



MSW-4



Circuit designation



Hydraulic Valves