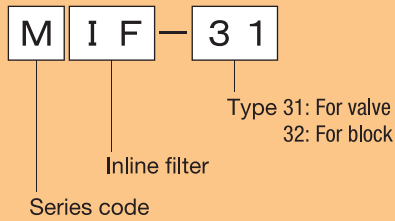


# M Series Inline Filter / Sub-Plate

Maximum operating pressure	Maximum flow
70MPa	0~ 8MPa : 15L/min
	8~70MPa : 3L/min

## ■ Inline Filter

### Description of the type



- MIF-31 is for various valves/plates.
- MIF-32 is used joined with a block by placing it on a base plate and a block sub-plate.
- Both types have a small rated capacity of 5 L/min. They should be used in a pump of MP-10 or smaller.
- The elements should be inspected/replaced on a regular basis.

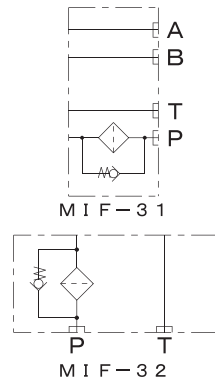
### ■ Specification

Type	Cracking pressure (MPa)	Filter mesh (μm)	Bolt insert length	Approximate weight (kg)
MIF-31	0.35	10	70	6.0
MIF-32				7.0

M I F - 3 1

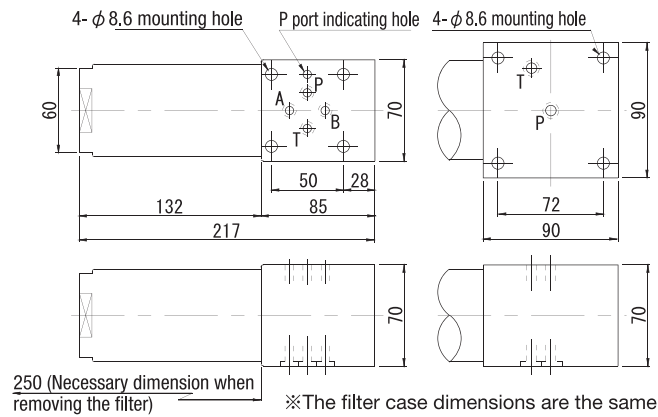


### Circuit designation



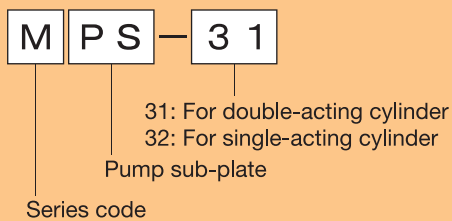
M I F - 3 1

M I F - 3 2



## ■ Sub-Plate

### Description of the type



- Used when configuring a single circuit in Riken's pump unit. An exclusive plate is attached to MP-10.
- The mounting bolts for the pump are included.
- In MPS-32, A and T are connected.

### ■ Specification

Type	Connection diameter (Rc)	Mounting bolt (hexagon socket head cap screw)	Approximate weight (kg)
MPS-31	3/8	M8 × 50	5.0
MPS-32			

M P S - 3 1



### Circuit designation

